

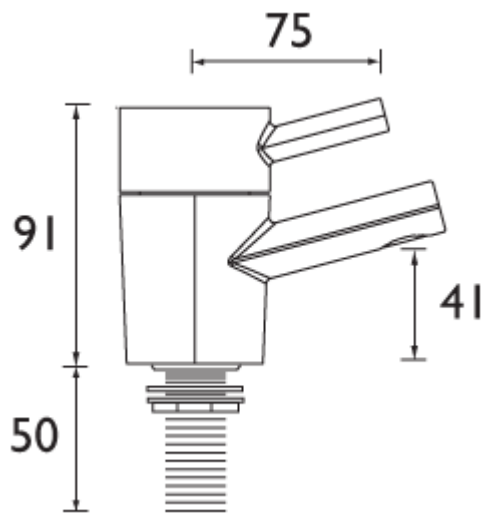
TECHNICAL DATA SHEET



OVAL Basin Taps

Product Specification

Product Code: OL ½ C
Finish: Chrome
Product Type: Contemporary
Construction: Body is of Brass Construction and is designed to conform to BS EN 200
Valve Type: ¼ turn ½" Ceramic Disc Valves
Supply: Suitable for all plumbing systems, preferably balanced
Inlet Connections: ½" BSP
Water Pressure: Min 0.2 bar, Max. 8.0 bar

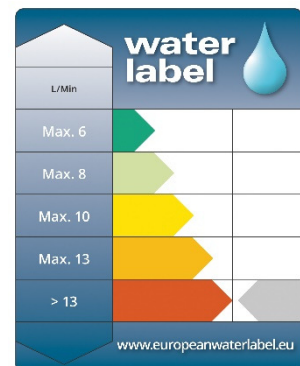


Additional Information

- Supplied with metal handles and backnuts
- Chrome plated to BS EN 248

Flow Rates (litres per minute)

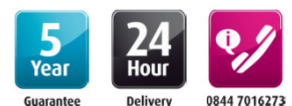
System Pressure	0.2bar	0.5bar	1.0bar	2.0bar	3.0bar	5.0bar
Open Outlet	7.3	10.7	17.4	24.9	30.6	39.5



Technical Advice: For further information please call 0844 7016273 or email customercare@bristan.com

Guarantee: 5 years covering manufacturing faults.

Bristan, Birch Coppice Business Park, Dordon, Tamworth, B78 1SG
 Telephone: 0844 701 6274 Facsimile: 0844 701 6275
 Web Site: www.bristan.com Email: enquire@bristan.com



The information contained on this page was correct at date of issue. Fitting dimensions are provided as a guide only. Some variation may occur due to manufacturing tolerances. Bristan pursues a policy of continuing improvement in design and performance of its products and so reserves the right to change specifications without prior notice.